

30003/DTK/19TF/ENQ-61/E3ES

18 Feb 2025

**FOR ATTENTION OF ALL BIDDERS**

There is an important instruction regarding place of submission of Bid due to restricted movement of goods and services across the border, in view of page No 7 of this RFP, amending the clause 2 of this RFP to that Extent.

**Appendices**

A	:	List of Stores	E	:	Performance Bank Guarantee Format
B	:	Technical Bid ('T' Bid)	F	:	Format of Certificate of Acceptance
C	:	Price Bid ('Q' Bid)	G	:	Undertaking Certificate
D	:	EMD Bank Guarantee Format	H	:	Self Declaration Certificate
			J	:	Technical specification of Rockfall Barrier

**INVITATION OF QUOTATION FOR SUPPLY OF CONSTRUCTIONAL STORES**

Dear Sir/Madam,

**INVITATION OF QUOTATION**

1. This Project requires stores as per Appendix 'A' accordingly invites **OTE** for the purpose. **The RFP can be downloaded from CPP Website : <https://eprocure.gov.in/epublish/app>. The consignor can submit their offer by downloading the enquiries and sending it by Speed Post/Courier/Hand.**
2. Quotations are invited in physical form containing 'T'-Bid (Technical bid) as per Appx 'B' and 'Q'-Bid (Price Bid) as per Appx 'C' for the above items. Please note that quotation will be received by the **Headquarters Chief Engineer (P) Dantak, C/o 99 APO upto 1700 Hrs (BST) on 10 Mar 2025**. 'T'-Bid will be opened on **12 Mar 2025** at 1200 Hrs (BST). After opening of 'T'-Bid and its evaluation 'Q'-Bid will be opened for the successful bidders.
3. Firms or their duly authorized representative who have submitted their quotation and who wish to be present at the time of opening of quotation may visit the office of **Headquarters Chief Engineer (P) Dantak, C/o 99 APO** at the above mentioned time and date for viewing the quotation opening process.
4. Bidding procedure shall be single stage-two bid system and bid documents are to be prepared in two parts as under:-  
  
Part-I (Technical Bid : 'T' Bid) at Appendix 'B'.  
Part-II (Price Bid : 'Q' Bid) at Appendix 'C'.
5. **Part-I Technical Bid ('T' Bid)**  
  
5.1. The technical bid comprising of the following details shall be forwarded in a separate envelope only by the **OEM/ Authorised Dealer/ Consignor** duly mentioning the Name of the firm, Enquiry reference and date of opening etc on top of the envelope.  
  
(a) Details such as Name of firm, Address Contact number GSTIN number, Email, PAN No and other Registration details with HQ DGBR / Project Dantak / Any other BRO Project / Ministry of Defence Govt. of India / Govt. of Bhutan as per format enclosed at Appendix 'B' to the enquiry be provided. **OEM, PSUs and Authorised Dealer** enlisted with Central Purchase Organization and National Small Industries Corporation also to provide details of their registration in Appendix 'B'.  
  
(b) In case, if the firm is NOT enlisted / Registered with HQ DGBR or Project Dantak as a registered contractor/ consignor or with Ministry of Defence Govt. of India or Govt. of Bhutan or CPO or NSIC & **Micro, Small and Medium Enterprises (MSMEs)**, then details of EMD alongwith original copy of EMD be provided as per Ser No 9 of Appx 'B'. **PSUs, OEM/ Authorised dealer, Original Manufacturers in Bhutan/ India** registered with Dantak/ HQ DGBR/ RGoB are exempted from submission of EMD on producing of necessary document/certificates, in this regard.

## 5.2 Eligibility Criteria for Technical Evaluation

5.2.1 The OEM/authorised dealer/ consignor who have submitted the following documents in their 'T' Bid will only be eligible technically and for opening of their 'Q' Bid:-

- (a) Fulfillment of criteria & submission of documents as laid down at Para 5.1.
- (b) **Copy of tender documents duly signed and stamped on each page.**
- (c) **Complete details as per Appendix 'B' of enquiry.**
- (d) **Registration details:**
  - (i) Registration/Enlistment No
  - (ii) With whom registered/enlisted
  - (iii) Letter reference under which registered/enlisted. (Enclose copy)

Enlistment/ Registration details with HQ DGBR/ Project Dantak/ Ministry of Defence, GoI/ Govt. of Bhutan/CPO/NSIC be clearly mentioned or EMD be submitted by non enlisted/non registered firms.
- (e) Original Manufacturers in Bhutan/India will have to submit EMD in case if they are not enlisted/ registered with HQ DGBR/Project Dantak or Government of Bhutan.
- (f) Copy of undertaking certificate duly signed (Format as per Para 13 (a) (iv) of RFP.
- (g) **Copy of Importer-Exporter Code (IEC).**
- (h) The Consignor/OEM supplying the item shall be a firm existing for a minimum 5 (five) years in India/Bhutan. Copy of Certificate of incorporation/certificate of firm registration will be submitted alongwith 'T' Bid documents as a documentary proof.
- (j) The consignor/OEM shall produce completion certificate for the experience of supplying/installing minimum 1000 RM of Rockfall Barrier in one single Project in Bhutan/India completion certificate shall be submitted as documentary evidence
- (k) The consignor/OEM must possess the ISO 9001 and ISO 45001 certificate. Copy of above ISO registration certificate to be submitted alongwith 'T' Bid documents.
- (l) Average Annual Turnover of the Consignor/OEM must be min Rupees/Nu Five crores in last three years. Documentary proof of same to be submitted in 'T' Bid.

5.3. The bidder should meet all the technical evaluation criteria in order that the bid is considered to be technically responsive and the bidder qualifying to have its commercial bid opened. **BANNED FIRMS WILL NOT BE ENTERTAINED.**

## 5.4 **REJECTION OF VENDORS**

- (a) **FIRMS APPLYING FOR THE SUBJECT TENDER WILL BE SCRUTINISED BASED ON THEIR PAST PERFORMANCE.**
- (b) **VENDORS WHO ARE BANNED FOR PARTICIPATION IN THE TENDER ENQUIRY BY ANY GOVERNMENT DEPARTMENT IN INDIA/ BHUTAN NEED NOT APPLY. SCRUTINY OF VENDORS WILL BE DONE STRICTLY ON THE BASIS OF THEIR PERFORMANCE WITH GOVERNMENT DEPARTMENTS.**
- (c) **SELLER SHOULD SUBMIT ALL ABOVE DOCUMENTS WITH BID. IF ANY SELLER SUBMIT MISLEADING/FALSE INFORMATION IN BIDDING DOCUMENTS, SUCH SELLER WILL BE LIABLE TO BE DISQUALIFIED IN 'T' BID. NO REPRESENTATION IN THIS REGARDS WILL BE ENTERTAINED**

## 6. **Part-II Price Bid ('Q' Bid).**

6.1 The price bid ('Q' Bid) shall be forwarded in a separate envelope by the **OEM/ Authorised Dealer/ Consignor** duly mentioning the name of the firm, Enquiry reference and date of opening on top of the envelope.

6.2. **Part-II Price Bids ('Q' Bid).** Price Bid shall be quoted by bidder as per the format attached as Appendix 'C'.

6.3. **'Q'-Bid evaluation.** Price Bid of non qualified bidders, based on evaluation of 'T' Bid, will not be opened.

- 6.4 Price Bids shall only be furnished in attached format forming part of the bid documents.
7. 'T' Bid and 'Q' Bid be submitted in **two separate envelopes** duly superscribed and both these sealed covers are to be put in a bigger cover which should be sealed and duly superscribed. **OEM/ Authorised Dealer/ Consignor** who offer the Enquiry documents of 'T' Bid and 'Q' Bid in a single envelope will be rejected. On top of both 'T' Bid and 'Q' Bid, details such as Name of **OEM/ Authorised Dealer/ Consignor** of the items, Enquiry Reference and date of opening etc will be mentioned clearly.
8. No conditional offer other than conditions mentioned above will be entertained.
9. All necessary licenses, consents and permissions for import/ export from Govt./ Semi Govt./ Civic agencies in India & Bhutan for the performance of obligations under this supply orders shall be arranged by the **OEM/ Authorised Dealer/ Consignor**.
10. The **OEM/ Authorised Dealer/ Consignor** shall provide and pay for usage of labour, utilities, transportation and other miscellaneous services necessary for proper execution and completion of supply order at the designated FOR.
11. The complete expenses on preparation and submission of quotation shall be borne by the firms and it shall have no claim on this account.

**Earnest Money and Security Deposit.**

12. **OEM/ Authorised Dealer/ Consignor** who are NOT enlisted as per Para 5.1 (b) of this RFP will have to submit Earnest Money of Amount in Rs **2,89,800/-** (Rupees two lakh eighty nine thousand eight hundred only) in the form of fixed Deposit receipt, or Bank guarantee from any of the commercial banks drawn in favour of Chief Engineer, Project Dantak payable at SBI Hasimara having validity/maturity period of Six Months and will be enclosed with Technical Bid. Earnest Money of un-successful **OEM/ Authorised Dealer/ Consignor** shall be returned to them immediately on placing of Supply Order. Format of EMD as per Appendix 'D' enclosed. **The MSME companies having valid Udyog Number, the EMD exemption as per DPM will be applicable.**

13. **Performance Bank Guarantee.** Performance Bank Guarantee in the form of Bank Guarantee should be submitted by your firm @ **5%** of the value of Supply Order amount within 30 days of receipt of the Supply Order, to **HQ 19 BRTF**, Phuentsholing. The Fixed Deposit Receipt or Bank Guarantee Bond be prepared having validity/maturity period of sixty days beyond the date of completion of all contractual obligations of the supplier including warranty obligation (Ref Rule-171 of GFR 2017). The PBG should be drawn in favour of **HQ 19 BRTF** payable at SBI, Hasimara. On receipt of Performance Bank Guarantee, the EMD will be returned to the firm. The Performance Bank Guarantee will be released after one month of release of completed payment against the supply order. If required, the extension of validity of Performance Bank Guarantee will be sought accordingly. Format of Performance Bank Guarantee as per Appendix 'E' enclosed. **In terms of Para 6.1.2 (i) of Manual of Procurement of Goods (second edition 2024), submission of PBG for an Supply Order amount upto twenty five (25) lakh is not required.**

(a) **Clause for Evaluation of L1.** To determine the L1, the quoted rates of consignor who have been found technically "Substantially Responsive". 'Q' Bid shall be evaluated as under:-

(i) **Ranking of the commercial bid will be based on the sum total of cost of all items to be supplied at 504 SS&TC (GREF), Phuentsholing (Bhutan)** which will comprise of Basic Cost of item, Freight insurance, except levies, Taxes and Duties levied by Central/State Local Govts such as Octroi/Entry Tax, etc as quoted by the Bidder in his 'Q' Bid. All these elements shall mandatorily be indicated separately. **Firms will have to quote for every item, failure to quote for any item will result in the disqualification of the firm in the 'Q' bid.**

(ii) Any Taxes and Duties not mentioned clearly in 'Q'-Bid will not be counted and the Bidder shall not have any claim on account of such omissions on his part.

(iii) **GST/ Sales Tax are not applicable for Project Dantak.** Sales tax exemption certificate will be issued to consignor. For any query regarding **exemption of GST** on import of goods and services **from India to Bhutan**, kindly refer to the following websites for detail information.

(aa) [www.cbec.gov.in/htdocs-cbec/gst/index](http://www.cbec.gov.in/htdocs-cbec/gst/index).

(ab) [www.cbec.gov.in/resources/htdocs-cbec/gst/notfctn-42-igst-rate-english.pdf](http://www.cbec.gov.in/resources/htdocs-cbec/gst/notfctn-42-igst-rate-english.pdf).

(ac) [www.cbec.gov.in/resources/htdocs-cbec/gst/notfctn-300CGST-rate-english.pdf](http://www.cbec.gov.in/resources/htdocs-cbec/gst/notfctn-300CGST-rate-english.pdf).

(iv) **For Indian Consignor Only.** As supply to Project Dantak located outside India, no GST is applicable. Indian consignor / Bidder shall attach undertaking certificate as per the following format mandatorily :-

**UNDERTAKING CERTIFICATE**

"It is certified that the goods / materials given in the Enquiry No 30003/DTK/19TF/Enq-61/E3ES dt 18 Feb 2025 of HQ CE (P) Dantak will be supplied by me / our firm as export and for use in Bhutan.

It is declared that no GST cost has been included by me in the rates quoted in above mentioned enquiry"

Signature with date :

Name of the bidder :

Name of firm with address:

(v) Certificate on account of GST as per Rule No 16 (1) of IGST Act 2017 will be issued on receipt of stores as format of certificate is as given under:-

(aa) It is certified that the goods supplied by your firm against SO No 30003/DTK/19TF/ SO.../E3ES dated \_\_\_\_2025 for the cost of Rs \_\_\_\_/- (Rupees \_\_\_\_\_ only) is a zero rated supply as per **GST Rule No 16 (1) of IGST Act 2017** as the goods were supplied as an export and to be used in Bhutan by this Project.

(ab) It is further certified that no amount was paid to your firm by this Project on account of GST.

Consignee Unit

**GST : ZERO RATED SUPPLY CERTIFICATE**

(b) **Force Majeure Clause.** Should any force majeure circumstance arise, each of the contracting party shall be excused for the non fulfillment or for the delayed fulfillment of any of its contractual obligations, if the affected party within **14 days** of its occurrence informs in a written form the other party. Force majeure shall mean fires, floods, natural disasters or other acts such as war, turmoil, strikes, sabotage explosions, and quarantine restriction beyond the control of either party. **In the event of either party being rendered unable by Force Majeure to perform any obligations required to be performed by them under the purchase order the relative obligations of the party affected by such force majeure shall upon notification to the other party be suspended for the period during which force majeure event lasts. The cost and loss sustained by the either party shall be borne by the respective parties. If the force majeure conditions persist for a period exceeding 150 days the Purchaser reserves the right to cancel the purchase order in full or in part.**

**Consignee, Delivery & Delivery Period.**

14. Supply will have to be completed within **150 days** from the date of effect of supply order. The stores are required to be delivered as per Appendix 'A' attached to this enquiry to the **consignee unit 504 SS&TC (GREF), Phuentsholing (Bhutan)**. The responsibility for loading and unloading of stores including transit loss shall rest with the consignor. The firm who are unable to supply the desired items within original delivery period due to any reason and are contemplating/seeking extension of original delivery period must send their request by email giving detailed reason for seeking original delivery period extension and the request should reach seven clear working days before expiring of original delivery period failing which the supply order will be considered to be terminated and firm will be responsible for the same.

**Price Adjustment.**

15. No adjustment in the rates after the date of opening of the quotation on account of any increase/decrease in the cost of input or on account of any statutory increase in any taxes or duty is admissible.

16. **Prices** All the rates/prices mentioned in the purchase order shall remain firm throughout the delivery/ shipment of the goods/ performance of the services. Price escalation on any score whatsoever will NOT be entertained.

**Manufacturer/ Authorised dealer (Consignor/ Distributor).**

17. In case your firm is an **original manufacturer of the product or an authorized dealer**, a certificate to this effect shall be enclosed alongwith product catalogue and company price list. Discount, if any offered thereon shall be specified clearly. If the product is proprietary in nature, certificate to this effect that the firm is sole **OEM/ Authorised Dealer/ Consignor** of the product shall be enclosed with the offer.

**Freight/ Warranty**

18. **Freight.** Packaging and freight will be complete responsibility of the consignor. Damages/ losses in transit shall be the responsibility of the consignor upto the delivery location specified by the respective consignees. No Defence vehicles will be provided to transport the stores. Stores will be securely packed without any additional cost to the Govt to avoid losses or damages during transit so as to reach this consignee, in perfect serviceable and fit for use condition. The consignor shall remain responsible for adequacy of packages during transit. The packages shall be marked with the Supply order and other necessary details for easy identification at the consignee's end. The consignor will be responsible for unloading at for and to ensure that the stores are delivered in sound condition without any damage.

19. **Warranty/Guarantee.** The stores supplied against the supply order shall bear a warranty against defective materials for a period of **one year** or as specified by the company/ consignor/firm (whichever is higher) from the date of completion of the supply order. In case of manufacturing failure or defect in any component within the warranty period, the consignee shall inform the consignor for joint inspection. Within a period of one week of the receipt of such information, the rejected material shall be removed and replaced by the consignor at the site at his own expense and no extra payment shall be made on this account. All stores to be supplied should be free from all defects and faults in material workmanship and manufacture. They should be of the highest grade and consistent with the established and generally accepted standards for material of the type used and in full conformity with the specifications, drawings or samples and shall, if operable, operate properly. The Consignor shall be bound to furnish a clear written warranty regarding the same. In the event of the ultimate consignee in Bhutan not finding the stores in accordance with the order, the Consignor will be required to replace them free of cost inclusive of all freight and handling charges. Such replacement will be done within **90 days** to the claim report raised by the Consignee. These standard conditions will also apply in respect of replaced stores.

**TERMINATION OF PURCHASE ORDER**

20. **Termination for Non-performance.** The Purchaser without prejudice to any other remedy for breach of purchase order, by giving a written notice for non-performance to the Seller/consignor, may terminate the purchase order in whole or in part for following reasons:-

- (a) When the supplier fails to honour any part of the supply order including failure to deliver the supply order stores/ render services in time.
- (b) When the contractor is found to have made any false or fraudulent declaration or statement to get the supply order or he is found to be indulging in unethical or unfair trade practices.
- (c) When both parties mutually agree to terminate the supply order.
- (d) When the item offered by the supplier repeatedly fails in the inspection and/or the supplier is not in a position to either rectify the defects or offer items conforming to the stores quality standards.
- (e) Any special circumstances, which must be recorded to justify the cancellation or termination of a supply order.
- (f) If the Seller/ consignor, in the either of the above condition, does not cure his failure within a stipulated period of 30 days (or such a longer period may authorize by the Purchaser in writing) after receipt of notice of non-performance form the Purchaser.

**Contact Address.**

21. For any further information/clarification on the subject the following Officer may be contacted during the office hours (i.e. 0830 Hrs to 1700 Hrs BST except Sunday/Holidays):-

SO-1 (Res)  
Headquarters  
Chief Engineer  
Project Dantak  
Tele No .009752351082/86/88  
FAX No . 009752351285

22. The accepting officer does not bind himself to accept the lowest quotation or any other quotation and reserves the right to accept or reject any of the quotation either in part or in full without assigning any reasons what so ever thereto.

23. No purchase against this enquiry is guaranteed.

24. The quantities of stores given is/are guidelines and may be enhanced or decreased upto +/- 25% according to our requirement at the time of placing of supply order.

25. Quotation received after the expiry of time and date specified in **Para 02** above will not be entertained.

26. Payment will be made on receipt of stores in full as there is no provision for making advance payment. **NO PART PAYMENT WILL BE APPLICABLE.**

27. **Sample Approval** If desired by consignee, the firm shall produce one sample of the item for approval to the consignee within 20 days of this Supply Order. Only the approved samples will be supplied in bulk as per the quantity given in Supply Order. Samples may be approved by producing actual samples or through a catalogue of desired make as per SO. Date of approval of sample will have no effect to the delivery period mentioned in the RFP/ Supply Order.

28. **Repeat Order Clause.** The Consignee may order upto 50% qty of SO within six months from the date of successful completion of the supply against this contract and at the same cost, terms and conditions of the contract. The Consignor is bound to supply the material.

29. **Inspection** The stores supplied will be inspected by the BOO detailed by the CFA or his authorized rep at time of delivery and should be strictly according to the specifications provided in the supply order. In case the items are found not according to specifications/satisfaction of the Inspecting Officer, the stores are liable to be rejected and will have to be replaced **within 30 days** without any additional cost by the consignor /firms.

30. **Test Certificate:** The L1 firm will have to forward the following test certificate at the time of supply of the Rockfall barrier. In case the test results do not meet the required specifications, the stores will be rejected. No representation in this regard will be entertained:-

- (a) Test certificate of rockfall barrier system in accordance with IRC-48/EAD 340059-00-0106.
- (b) Grade of concrete
- (c) Galvanizing test of post and wire net
- (d) Isotropic tensile strength of wire net
- (e) Tensile strength of rope wires

31. **LD** The consignor shall be liable to pay liquidated damages and not as a penalty, a sum equivalent to ½% (Half Percent) of the contract/supply order price per week of delay or part thereof. The consignor liability of liquidated damages shall not exceed maximum of 10% (Ten percent) of the contract price. If the delivery is delayed beyond 10 weeks, the consignee may at his own option, terminate the contract / supply order.

32. **Validity** The rates should be valid for 120 days wef the date of submission of the offer.

33. **Firm to mention the make of item in the 'T' bid that is proposed for supply.**

34. Mentioning of GSTIN Nos and quoting rates in words is compulsory, without which enquiry will not be considered for placing supply order. Clear description/specification of items is also mandatory.

35. Rates be quoted for items as per specification in enquiry only.

36. **EMD.** In case non supply of stores against this supply order, then EMD/ Performance Bank Guarantee Bank Guarantee will be ceased by department.

37. Acceptance certificate forward to HQ CE (P) Dantak against this enquiry Supply Order No 30003/DTK/19TF/SO-\_\_\_\_/E3ES dated \_\_\_\_ Feb 2025. Format as per Appx 'F'.

38. **TAX/ COMMERCIAL INVOICE.** ALL INDIAN VENDOR/ FIRM/ CONSIGNOR ON RECEIPT OF SUPPLY ORDER TO IMMEDIATELY PREPARE A "TAX/ COMMERCIAL INVOICE" OF ITEMS AND SUBMIT THIS HQ BY EMAIL WITHIN TWO DAYS. THIS SHALL FACILITATE DANTAK OBTAIN BHUTAN SALES TAX EXEMPTION CERTIFICATE FROM HEAD OFFICE, REGIONAL REVENUE & CUSTOMS OFFICE, THIMPHU (BHUTAN). THIS IS NOT APPLICABLE FOR REGIONAL BHUTANESE FIRMS/VENDORS/SUPPLIERS.

39. In addition to the existing facility/provision of receiving bids at HQ CE (P) Dantak and as mentioned in clause 2 of this RFP, a facility has been created on Indian side border town of Jaigaon to facilitate submission of bids by Indian Bidders. The bidders can exercise following option and address:-

(a) **Existing facility at HQ CE (P) Dantak Thimphu:-**

(i) **If sending bids by post:-**

HQ CE (P) Dantak  
PIN – 931 708  
C/o 99 APO

(ii) **Manual Submission** - Dropping of bids in tender Box kept in HQ CE (P) Dantak premises.

(b) **Additional facility at Jaigaon:-**

(i) **If sending bids by post:-**

OIC Liaison Cell  
Supervisor Mess, HQ 19 BRTF (GREF)  
Jaigaon (W.B.)  
PIN – 736 182  
Contact details/ Phone No – 9970889254

(ii) **Manual submission** - Dropping of bids in tender Box kept in Supervisor Mess, HQ 19 BRTF (GREF) Jaigaon (W.B).

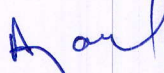
**Address:-**

OIC Liaison Cell  
Supervisor Mess, HQ 19 BRTF (GREF)  
Jaigaon (W.B.)  
PIN – 736 182  
Contact details/ Phone No - 9970889254

**Please take acknowledgement from OIC Liaison Cell in case of manual submission at Jaigaon.**

**Note:-** Last date and time for submission of bids will be same for both the location and bids from both the places will be collected and opened on fixed date by the nominated BOO at HQ CE (P) Dantak.

Your's faithfully,

  
(APS Chauhan)  
Lt Col  
SO-1 (Res)  
for Chief Engineer

LIST OF STORESHQ CE (P) Dantak Eng No 30003/DTK/19TF/ENQ-61/E3ES dt 18 Feb 2025

Ser No	Nomenclature	A/U	Qty
<b>Stores to be supplied to 504 SS&amp;TC (GREF), Phuentsholing (Bhutan)</b>			
1.	Supply of Rockfall Barrier of 100 KJ/3m including steel superstructure (HS Code 7308 7098) and concrete substructure with fiberglass reinforcement (HS Code 6810 9910) - (2 sets x 50m each) as per Technical specification given in Appx 'J' of RFP	RM	100

Registration No. of Firm  
 TIN No. of Firm  
 Firm Seal  
 Fax & Tele No.

(APS Chauhan)  
 Lt Col  
 SO -1 (Res)  
 for Chief Engineer

Contd...9/-

TECHNICAL BID ('T' BID)

Appendix 'B'

HQ CE (P) Dantak Enq No 30003/DTK/19TF/ENQ-61/E3ES dt 18 Feb 2025  
(As per Clause Para 5)

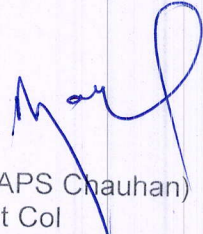
PARTICULAR OF FIRM		
SER NO	ITEMS	DETAILS
1.	Name of firms	
2.	Legal Status of the firm	Individual company (Incorporated un-incorporated)/ Partnership firm / public limited
3.	Address	
4.	Contact Telephone, Mobile & Fax No	
5.	E-mail address	
6.	GSTIN No	
7.	PAN No	
8.	Registration details :-	
	(a) Registration/Enlistment No.	
	(b) With whom registered /enlisted	
	(c) Letter ref under which registered/enlisted.(Enclose copy)	
9.	EMD (For unregistered consignor / firm only) EMD in the form of cheque is not acceptable. EMD be submitted in the form of Fixed Deposit Receipt or Bank Guarantee only	Amount <b>Rs 2,89,800/-</b>  Fixed Deposit Receipt or Bank Guarantee Number _____  Dated : _____
Date		(Signature of authorized rep of firm with seal)

Note:

1. Firm enlisted with HQ CE (Project) Dantak need not enclose photocopy of GSTIN No, PAN No and copy of letters reference under which registered. Rest all firms should enclose relevant photocopies.

2. Firms should enclose all relevant documents as mentioned under Para 5 of this Enquiry in addition to the above details, failing which the firm will be rejected during 'T' Bid evaluation.

(Signature of consignor)

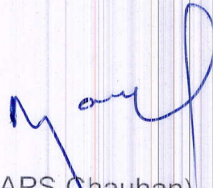
  
 (APS Chauhan)  
 Lt Col  
 SO-1 (Res)  
 for Chief Engineer

Contd..... 10/-

PRICE BID ('Q' BID)HQ CE (P) Dantak Enq No 30003/DTK/19TF/ENQ-61/E3ES dt 18 Feb 2025

Ser No	Nomenclature	A/U	Qty	Basic Price (Unit price) Including Freight Charges	Total Amt
<b>Stores to be supplied to 504 SS &amp; TC (GREF) Phuentsholing (Bhutan)</b>					
1.	Supply of Rockfall Barrier of 100 KJ/3m including steel superstructure (HS Code 7308 7098) and concrete substructure with fiberglass reinforcement (HS Code 6810 9910) - (2 sets x 50m each) as per Technical specification given in Appx 'J' of RFP	RM	100		
<b>Total Amount</b>					
In words (Rupees _____ only)					

Registration No. of Firm  
TIN No. of Firm  
Firm Seal  
Fax & Tele No.

  
(APS Chauhan)  
Lt Col  
SO -1 (Res)  
for Chief Engineer

Contd...11/-

EMD BANK GUARANTEE FORMAT

HQ CE (P) Dantak Enq No 30003/DTK/19TF/ENQ-61/E3ES dt 18 Feb 2025

Whereas .....(hereinafter called the "Bidder") has submitted their offer against enquiry No 30003/DTK/19TF/ENQ-61/E3ES dated 18 Feb 2025 for the supply of stores (hereinafter called the "Bid") against the Buyer's Request for proposal No 30003/DTK/19TF/SO-/E3ES dated \_\_\_/\_\_\_/2025 KNOW ALL MEN by these presents that we .....of.....having our registered office at.....are bound unto.....(hereinafter called the "Buyer) in the sum of .....for which payment will and truly to be made to the said Buyer, the Bank binds itself, its successors and assigns by these presents. Sealed with the Common Seal of the said Bank this ..... day of \_\_\_/\_\_\_/ie 2025.

The conditions of obligations are:-

1. If the Bidder withdraws or amends, impairs or derogates from the Bid in any respect within the period of validity of this tender.
2. If the Bidder having been notified of the acceptance of his tender by the Buyer during the period of its validity.
3. If the Bidder fails to furnish the Performance Bank Guarantee for the due performance of the supply order.
4. Fails or refuses to accept/execute the supply order.

We undertake to pay the Buyer up to the above amount upon receipt of its first written demand, without the Buyer having to substantiate its demand, provided that in its demand the Buyer will note that the amount claimed by it is due to it owing to the occurrence of one or both the two conditions, specifying the occurred condition or conditions. This guarantee will remain in force upto and including 90 days after the period of tender validity and any demand in respect thereof should reach the Bank not later than the above date.

.....  
.....  
.....  
.....

(Signature of the authorized officer of the Bank)  
Name and designation of the officer  
Seal, name & address of the Bank and address of the Branch



PERFORMANCE BANK GUARANTEE FORMATHQ CE (P) Dantak Enq No 30003/DTK/19TF/ENQ-61/E3ES dt 18 Feb 2025

From:

Bank \_\_\_\_\_

To,

.....  
 .....  
 .....  
 .....

Dear Sir,

1. Whereas you have entered into a supply order No 30003/DTK/19TF/SO- \_\_\_\_\_ /E3ES dated \_\_\_\_ / /2025 (hereinafter referred to as the said supply order) with \_\_\_\_\_, hereinafter referred to as the "seller/consignor" for supply of goods as per Part-II of the said supply order to the said seller/consignor and whereas the Seller/consignor has undertaken to produce a bank guarantee for (5%) of total supply order value amounting to \_\_\_\_\_ to secure its obligations to the HQ CE (P) Dantak. We the \_\_\_\_\_ bank hereby expressly, irrevocably and unreservedly undertake and guarantee as principal obligors on behalf of the seller/consignor that, in the event that the HQ CE (P) Dantak declares to us that the goods have not been supplied according to the performance obligations under the aforementioned supply order, we will pay you, on demand and without demur, all and any sum up to a maximum of \_\_\_\_\_ (Rupees \_\_\_\_\_ only). Your written demand shall be conclusive evidence to us that such repayment is due under the terms of the said supply order. We undertake to effect payment upon receipt of such written demand.
2. We shall not be discharged or released from this undertaking and guarantee by any arrangements, variations made between you and the Seller/consignor, indulgence to the Seller/consignor by you, or by any alterations in the obligations of the Seller/consignor or by any forbearance whether as to payment, time performance or otherwise.
3. In no case shall the amount of this guarantee be increased.
4. This guarantee shall remain valid for ..... months from the date of acceptance of consignment in India/Bhutan or until all the store, spares and documentation have been supplied according to the performance obligations under the said supply order at the destination FOR.
6. Unless a demand or claim under this guarantee is made on us in writing or on before the aforesaid expiry date as provided in the above referred supply order or unless this guarantee is extended by us, all your rights under this guarantee shall be forfeited and we shall be discharged from the liabilities hereunder.
7. This guarantee shall be a continuing guarantee and shall not be discharged by and change in the constitution of the Bank or in the constitution of M/s \_\_\_\_\_.



Contd...13/-

FORMAT OF CERTIFICATE OF ACCEPTANCEHQ CE (P) Dantak Enq No 30003/DTK/19TF/ENQ-61/E3ES dt 18 Feb 2025CERTIFICATE OF ACCEPTANCE

1. Certified that the M/s \_\_\_\_\_, hereby accepts the supply order No 30003/DTK/19TF/SO- /E3ES dated \_\_\_\_/\_\_\_\_/2025 of the against enquiry No 30003/DTK/19TF/ENQ-61/E3ES dated 18 Feb 2025 as per the supply order assigned to them and handed over the same to HQ CE (P) Dantak at \_\_\_\_\_ hours, on this \_\_\_\_\_ day of the month \_\_\_\_\_ in the year two thousand and twenty five.
2. The list of liabilities as on date is placed at annexure to this certificate.
3. Signed on \_\_\_\_\_ day of \_\_\_\_\_ two thousand and twenty five.

\_\_\_\_\_  
 REP  
 FOR AND ON BEHALF OF  
 THE CHIEF ENGINEER PROJECT DANTAK

\_\_\_\_\_  
 REP OF  
 M/s \_\_\_\_\_

Note. This certificate of acceptance will remain in force till the validity of supply order.

Contd... 14/-

①

HQ CE (P) Dantak Enq No 30003/DTK/19TF/ENQ-61/E3ES dt 18 Feb 2025

UNDERTAKING CERTIFICATE

"It is certified that the goods / materials given in the Enquiry No 30003/DTK/19TF/Enq-61/E3ES dt 18 Feb 2025 of HQ CE (P) Dantak will be supplied by me / our firm as export and for use in Bhutan. It is declared that no GST cost has been included by me in the rates quoted in above mentioned enquiry".

Stamp & Signature with date :

Name of the bidder :

Name of firm with address :

Contd...15/-

0

HQ CE (P) Dantak Eng No 30003/DTK/19TF/ENQ-61/E3ES dt 18 Feb 2025

SELF DECLARATION CERTIFICATE

It is certified that my firm M/s \_\_\_\_\_ is not under banned from participation in tenders by any Govt. organization of India/Bhutan. In the event of my declaration being found as not true, my bid be cancelled and I will have no objection to it.

Stamp & Signature with date :

Name of the bidder :

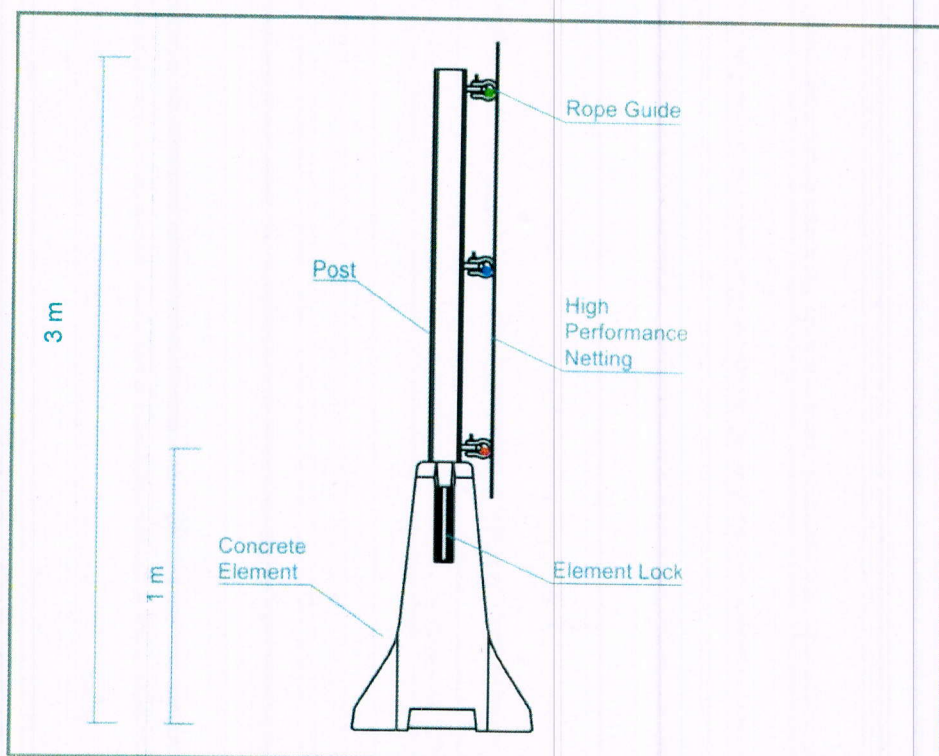
Name of firm with address :

0

## Technical specifications of Rockfall Barrier

1. Rockfall barrier system of 50m unit to have a minimum energy absorption capacity of 100KJ (both for concrete walls and the netting structure) and must be tested in accordance with IRC SP-48 / EAD 340059-00-0106). The rockfall barrier system to be mobile having arrangements for transportation and refixing it by interlocking arrangement thus ensuring its use multiple times. The rockfall barrier system will be composed of following components with minimum specifications as given below.

- (a) Fibre reinforced Concrete elements.
- (b) Galvanised Steel post with element lock – to interconnect the concrete blocks.
- (c) High performance galvanised steel wire netting.
- (d) Galvanised steel wire rope of 16mm dia.
- (e) Spiral type brake elements at the end post to absorb impact energy.



Cross section of the rockfall barrier system



Layout of the rockfall barrier system

8

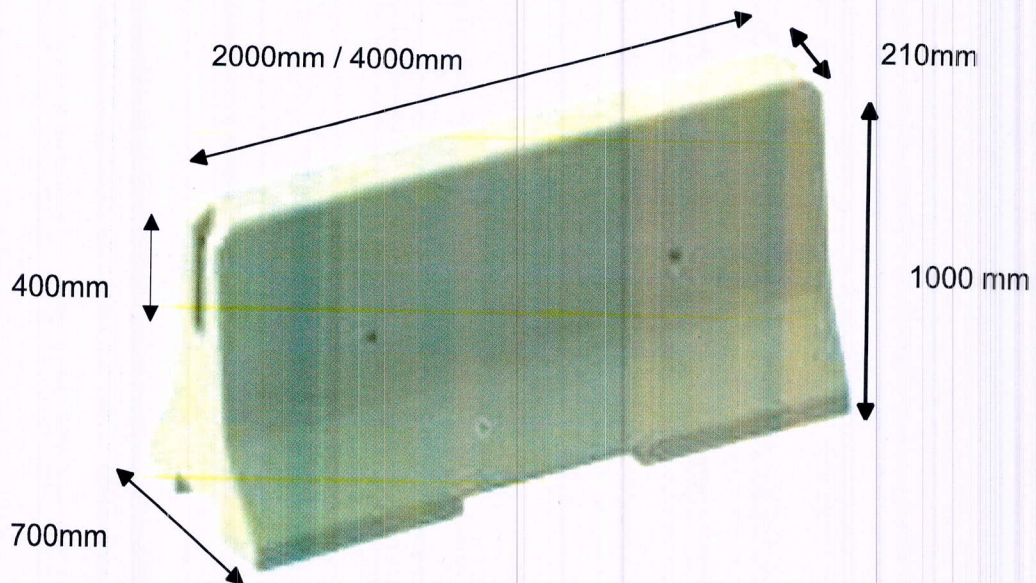
2. **Fibre reinforced Concrete elements.** – This would consist of following parts

(a) **4m length Fibre Reinforced Concrete Block.**

- (i) Qty in 50 m rockfall barrier unit - 10 Nos.
- (ii) Height - 1000mm.
- (iii) Top width - 210 mm.
- (iv) Bottom width - 700 mm.
- (v) Grade of concrete - Minimum M30 with two layers of carbon mats near the surface for rock impact protection
- (vi) Depth of grooves for interconnectivity of blocks with the help of steel posts - 400mm.

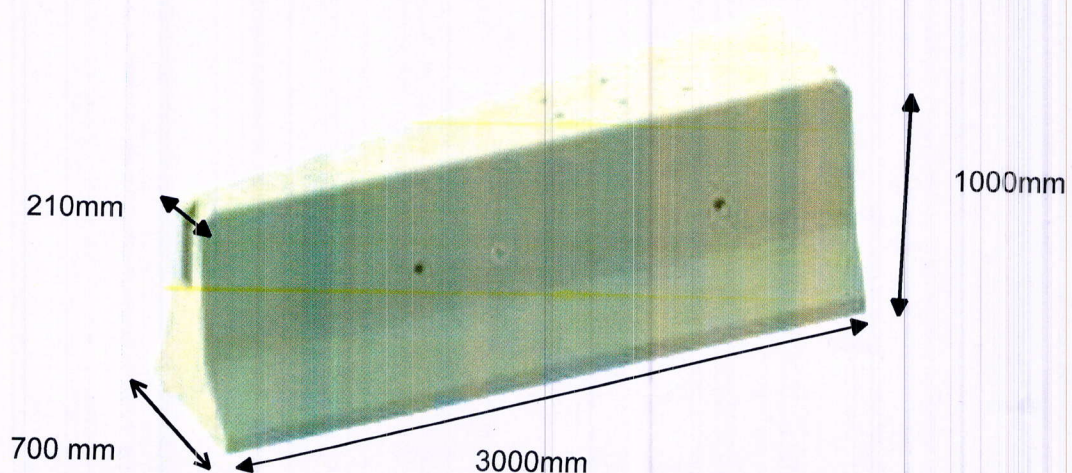
(b) **2m length Fibre Reinforced Concrete Block.**

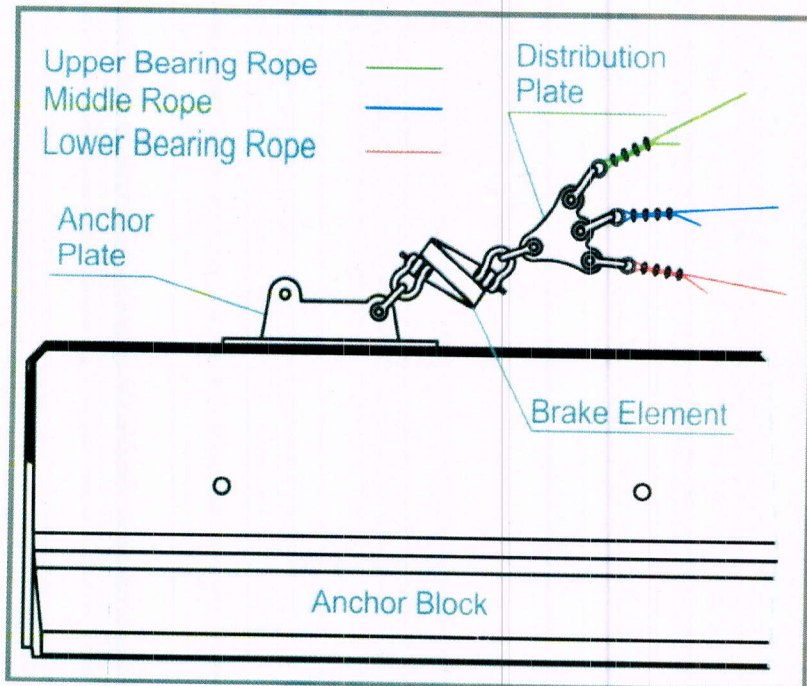
- (i) Qty in 50 m rockfall barrier unit - 02 Nos.
- (ii) Height - 1000mm.
- (iii) Top width - 210 mm.
- (iv) Bottom width - 700 mm.
- (v) Grade of concrete - Minimum M30 with two layers of carbon mats near the surface for rock impact protection
- (vi) Depth of grooves for interconnectivity of blocks with the help of steel posts - 400mm.



(c) **3m length Lateral Anchor Concrete Block.**

- (i) Qty in 50 m rockfall barrier unit – 02 Nos.
- (ii) Height - 1000mm.
- (iii) Width - 210 mm (tapered end) and flaring to other end.
- (iv) Bottom Width - 700 mm (tapered end) and flaring to other end.
- (iv) Grade of concrete - Minimum M30 with two layers of carbon mats near the surface for rock impact protection
- (v) Depth of grooves for interconnectivity of blocks with the help of steel posts – 400mm

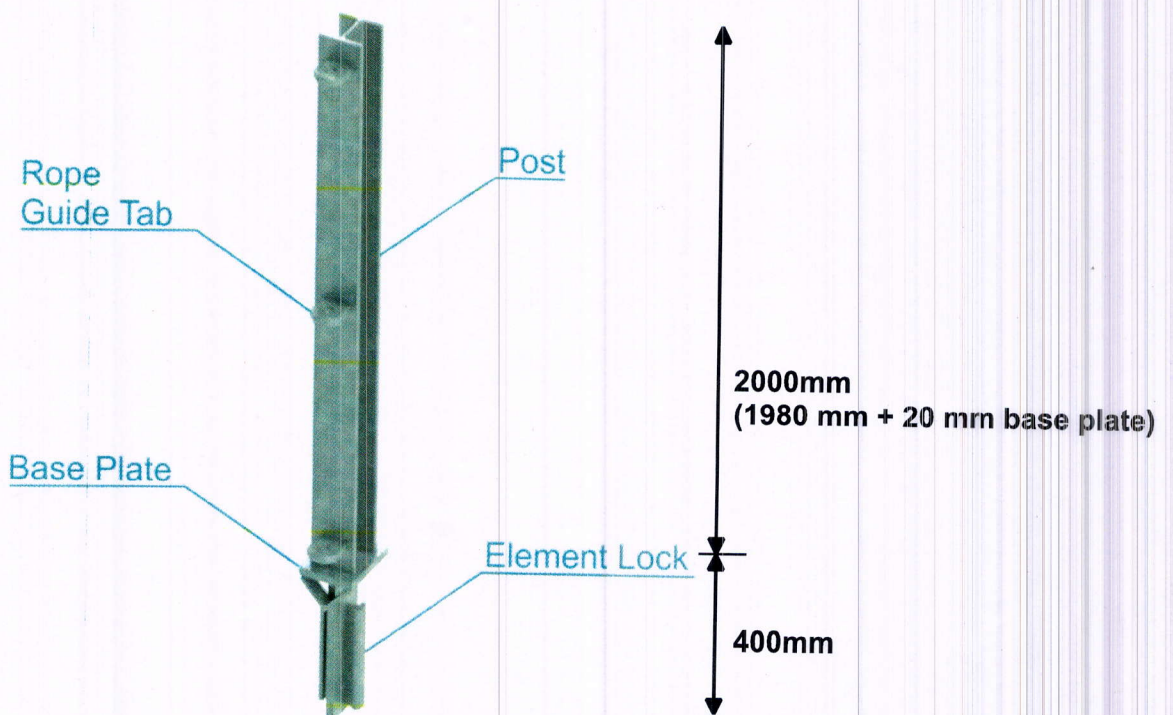




**Lateral Anchorage with Brake element**

3. **Steel Post with Element Lock**. – This would consist of post with H-beam profile connected with base plate and locking arrangement. Total length of steel post with element lock to be of 2000mm. The steel post to have three (03) numbers of rope guide tab as shown below

- (a) H beam specification.
- |       |                  |   |        |
|-------|------------------|---|--------|
| (i)   | Height           | - | 120mm. |
| (ii)  | Width            | - | 120mm. |
| (iii) | Flange thickness | - | 11 mm  |
| (iv)  | Web thickness    | - | 6.5mm. |
| (v)   | Radius           | - | 12mm.  |
- (b) Corrosion protection over post - To be galvanised according to IS 4759-1996 or IS 2629-1985.
- (c) Post weight (2000mm length) - 50.0 kg minimum
- (d) Shackle Rope guides - ¾ inch shackles



**Steel Post with Element Lockoupling**

4. **High performance galvanised steel wire netting.** The HPN will be attached along the 40m of the protective length of the 50m unit of rockfall barrier. Specification of steel wire netting to be as given below.

- (a) Wire mesh type - Rectangular netting.
- (b) Aperture - 50mm x 50mm
- (c) Number of mesh (horizontal/vertical) - 13 Nos per mtr.
- (d) Dia of wire - 4.6mm.
- (e) Tensile strength - 620 N/mm<sup>2</sup> (minimum)
- (f) Isotropic tensile strength (lengthwise & cross length wise) - 150 kN/m
- (g) Corrosion resistance - ZnAl coating of 280gm/m<sup>2</sup> in accordance to ISO 7989-2:2021/ IS 4826-1979
- (h) Height of the HPN - 2000 mm

5. **Steel wire ropes.**

- (a) Number of steel wire ropes - 03 (refer layout of the rockfall barrier above).
- (b) Construction type (as per IS: 6595-2001/ IS:2266-2002) - 6 x 19.
- (c) Diameter of rope - 16mm.
- (d) Rope Tensile strength - 1770 N/mm<sup>2</sup>
- (f) Minimum tensile strength (with steel core) - 161 kN
- (g) Corrosion resistance - Class B galvanising in accordance to ASTM A603

g